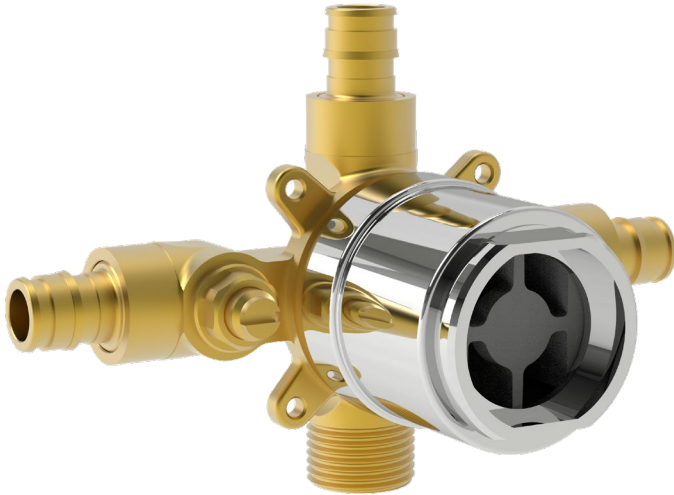


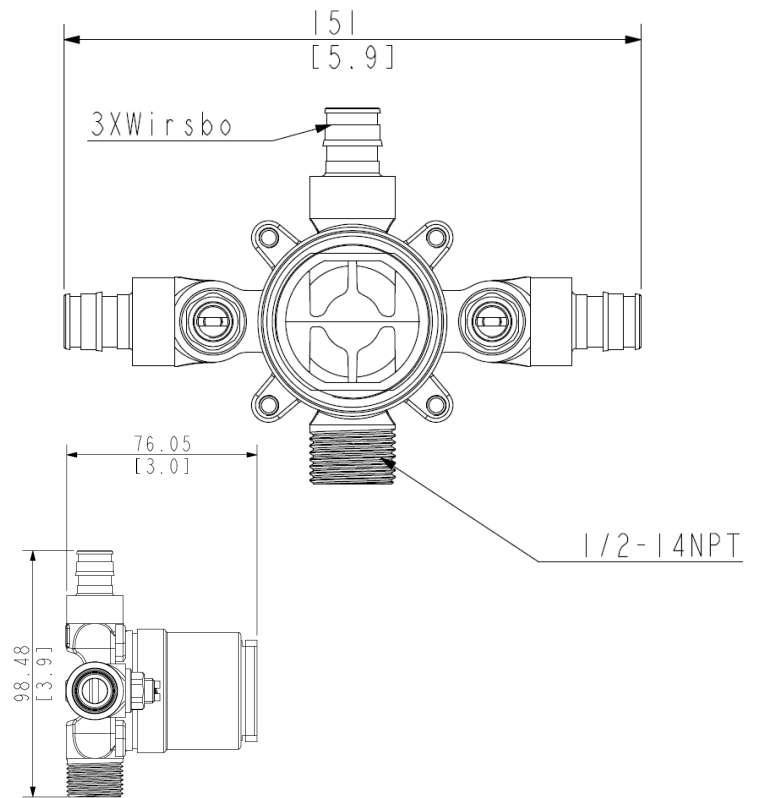
SPECIFICATIONS



Features

- Pro versa Tub & Shower **Rough-in valve** w/integral stops
- Pressure Balance Valve
- Pro-Versa Ceramic Disc Cartridge
- (Included with the Mainline 11 & 511 Series trims)
- Adjustable temperature limit stop to control maximum hot water
- Includes Plaster Guard and Pressure-Test Cap
- Flow Rate : 26.5 LPM/7.0 GPM at 60 psi
- Brass Construction
- 3X 1/2" – Cold Expansion Pex Connections
- 1 X 1/2"-14 NPT Connection
- With Check Valve
- Suited for standard Back-to-back and thin wall installation
- Easy-to-access mounting system (Hardware included)
- 100% Factory Tested
- Optional Add-on: MRIV-EXT Rough-in Valve Deep Wall installation Kit

Drawings



Please visit www.mainlinecollection.ca for more information.

MAINLINE® ProVersa® M410CEPX

Specified model meets or exceeds the following:

- ASME A112.18.1/CSA B125.1
- IAPMO/cUPC



AVAILABLE MODELS

M410 - 4 X 1/2"-14 NPT Connection W/Stops
M410-LS - 4 X 1/2"-14 NPT Connection W/O Stops
M410CEPX – 3 X 1/2" CEPX Connections & 1X 1/2"-14 NPT W/Stops
M410CEPX-LS - 3 X 1/2" CEPX Connections & 1X 1/2"-14 NPT W/O Stops
M410PEX – 3 X 1/2" PEX Connections & 1X 1/2"-14 NPT W/Stops
M410PEX-LS – 3 X 1/2" PEX Connections & 1X 1/2"-14 NPT W/O Stops
M410PEXCT – 3 X 1/2" PEX Connections & 1X 1/2"-14 NPT W/Stops & 1/2" Pre-soldered copper tube for spout connection.
M410PEXCT-LS – 3 X 1/2" PEX Connections & 1X 1/2"-14 NPT W/O Stops & 1/2" Pre-soldered copper tube for spout connection.

COMPATIBLE CARTRIDGE – M410-CCR

OPTIONAL EXTENSION – MRIV-EXT

Mainline products have been manufactured under the highest standards of quality and workmanship. That is why we offer "Limited Lifetime" warranty on the functionality of our rough-in valves.



SUBMITTAL INFORMATION

Name: _____ Contractor: _____
Location: _____ Contact #: _____
Notes: _____

Service & Parts

Please reach out to epleservice@emcoltd.com for support/ visit mainlinecollection.ca / CANADA +1 (450) 621 5636