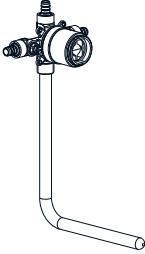


Installation / Installation

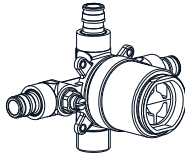
Model/Modelo
M410

Pressure Balance Tub & Shower Rough-In Valve

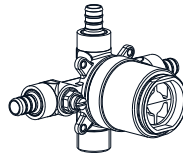
Robinetterie brute à pression équilibrée pour
baignoire et douche



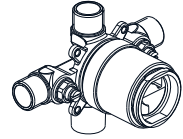
M410PEXCT



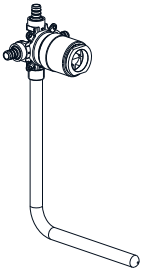
M410CEPX



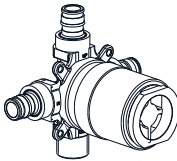
M410PEX



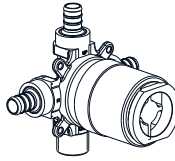
M410



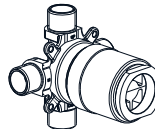
M410PEXCT-LS



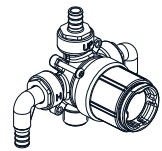
M410CEPX-LS



M410PEX-LS



M410-LS



M410PVPEX

Tools You Will Need / Outils dont vous aurez besoin



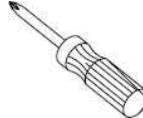
Adjustable Wrench
Clé à molette



Pipe Tape
Ruban pour tuyau



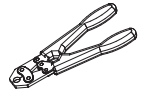
Groove Joint Pliers
Pince multiprise



Phillips Screwdriver
Tournevis cruciforme



Cold Expansion Tools



Crimping Tool

INSTALLATION TIPS

- The manufacturer suggests using a locally licensed plumber for installation.
- Do not use PEX for tub spout drop.
- If you use soldering for the installation of the faucet, the seats, cartridges and washers will have to be removed before using flame. Otherwise, warranty will be void on those parts.

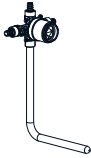
CONSIGNES DE INSTALLATION

- Le fabricant suggère de confier l'installation à un plombier qualifié pour exercer dans cette région.
- N'utilisez PEX pour raccorder le bec.
- Si vous posez le robinet par brasage, il est essentiel de retirer les sièges, les cartouches et les rondelles avant d'appliquer la flamme, faute de quoi la garantie sur ces pièces sera annulée.

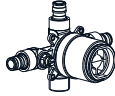


Installation / Installation

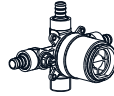
Model/Modelo
M410



M410PEXCT



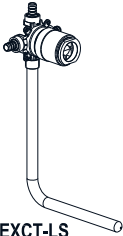
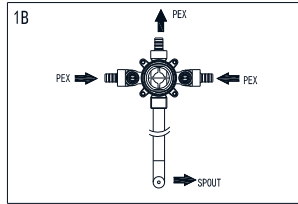
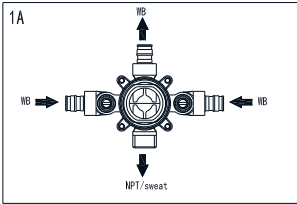
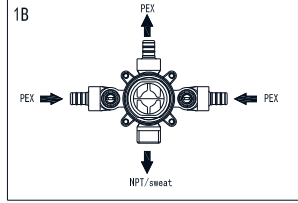
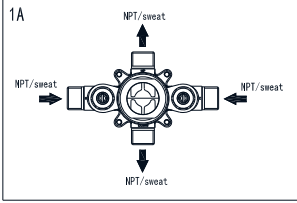
M410CEPX



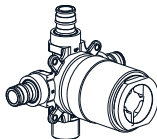
M410PEX



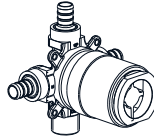
M410



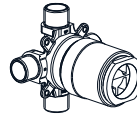
M410PEXCT-LS



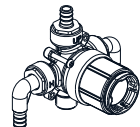
M410CEPX-LS



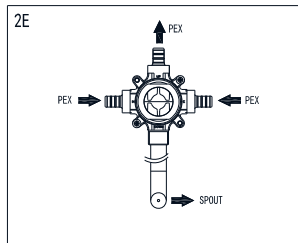
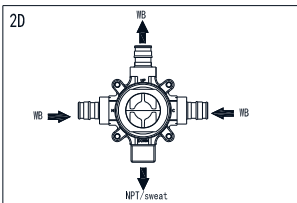
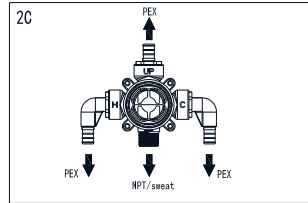
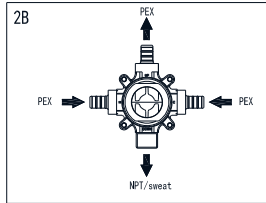
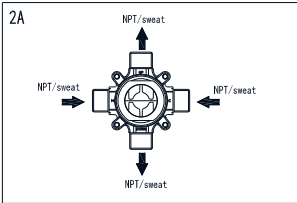
M410PEX-LS



M410-LS

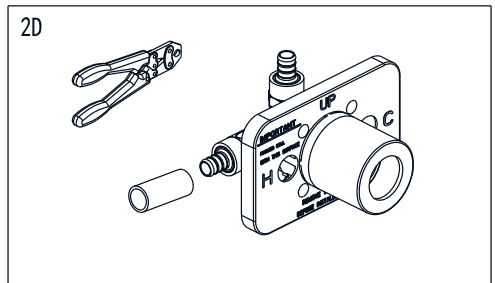
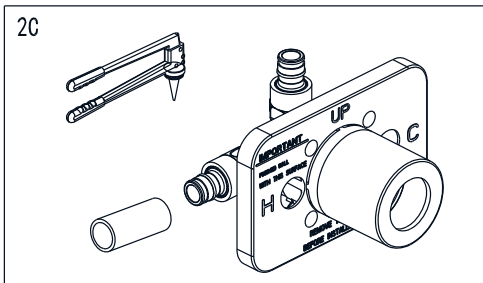
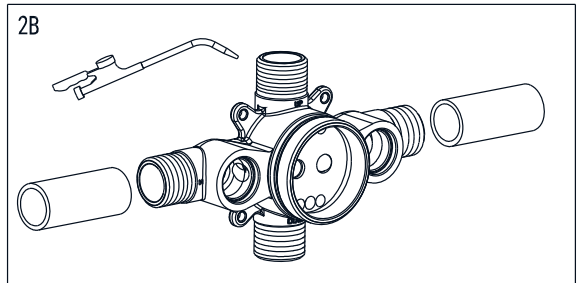
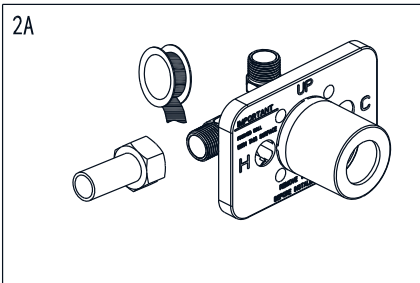
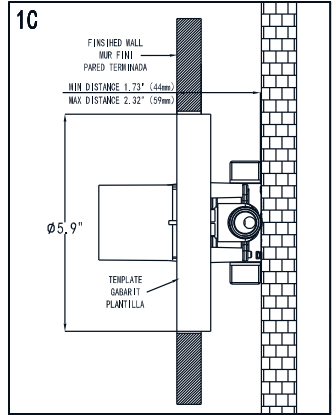
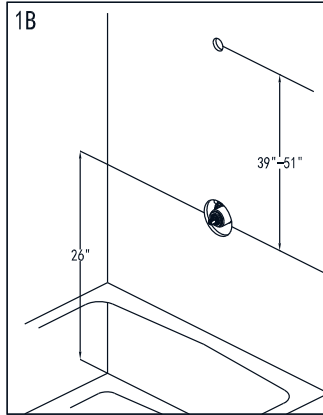
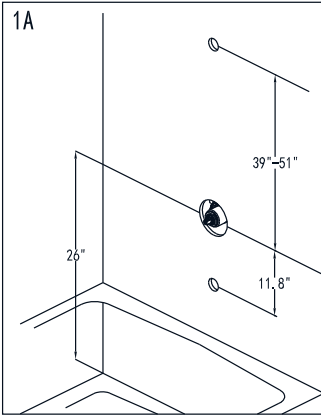


M410PVPEX



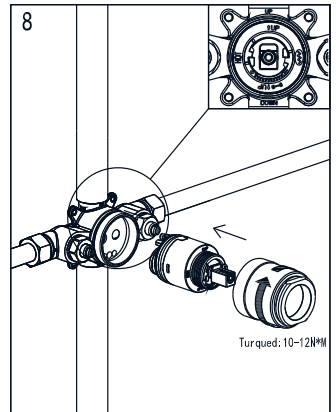
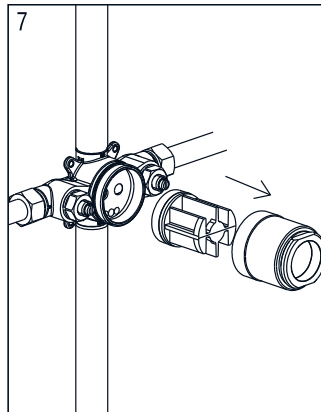
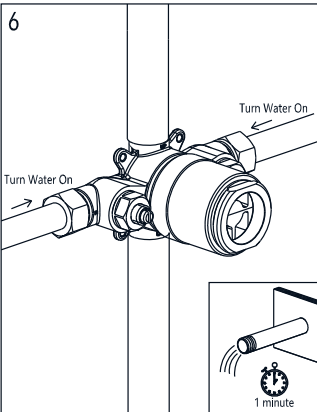
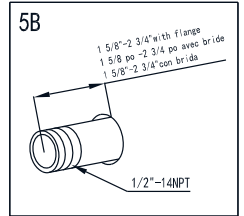
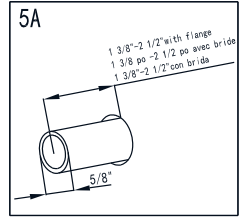
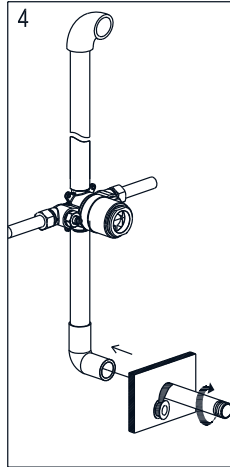
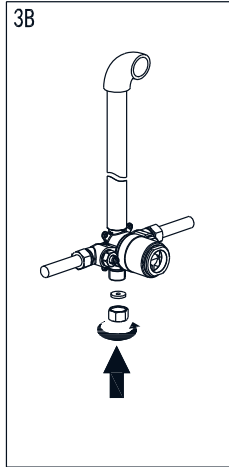
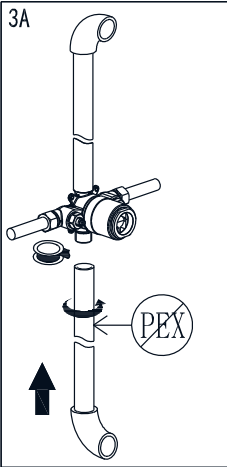
Installation / Installation

Model/Modelo
M410



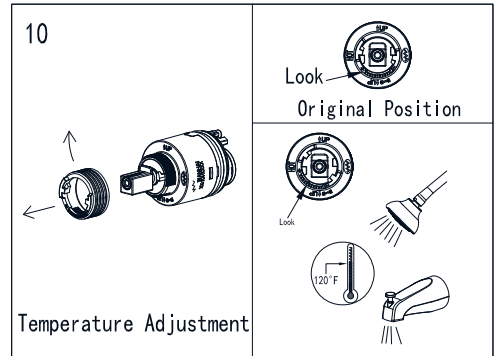
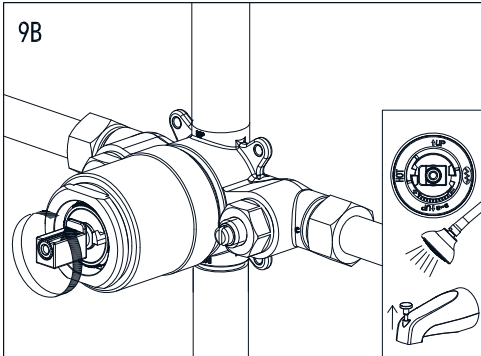
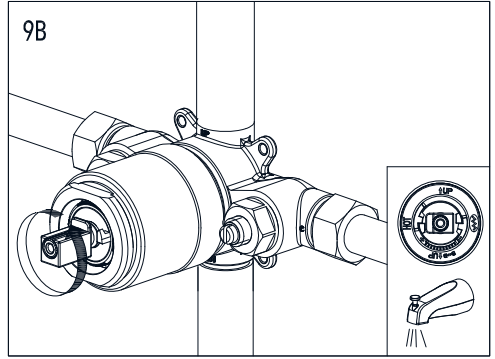
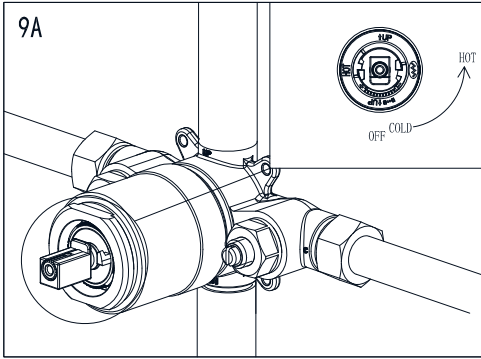
Installation / Installation

Model/Modelo
M410



Installation / Installation

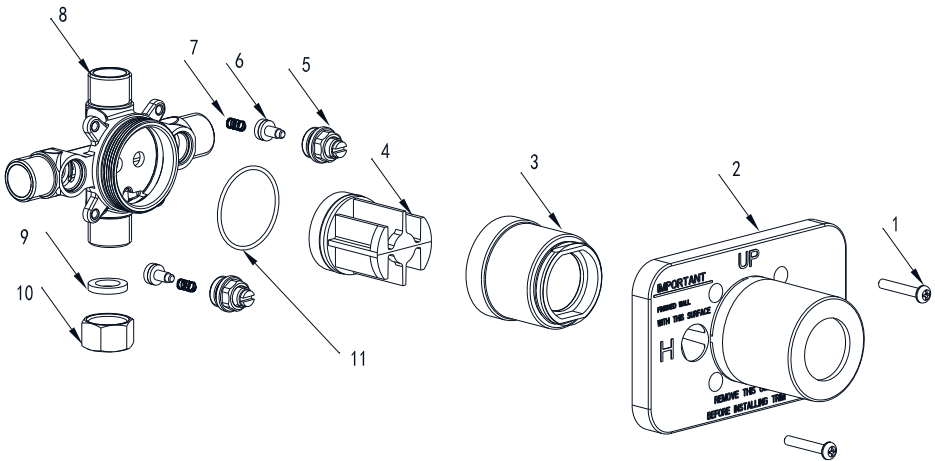
Model/Modelo
M410



Replacement Parts / Pièces de rechange

No.	Description	Part No.
1	Lock Screw	CTST1005
2	Plaster Guard	CTCP0704
3	Threaded Sleeve	CTCZ0232
4	Plug	ATBQ0390
5	Checkstop	ATBY0370
6	Spring	CTBT0123
7	Checkstop	ATBA0435
8	Body	CTYB0854
9	Washer	CTWR0088
10	Plug	CTTB0038
11	O-ring	CTRR0204

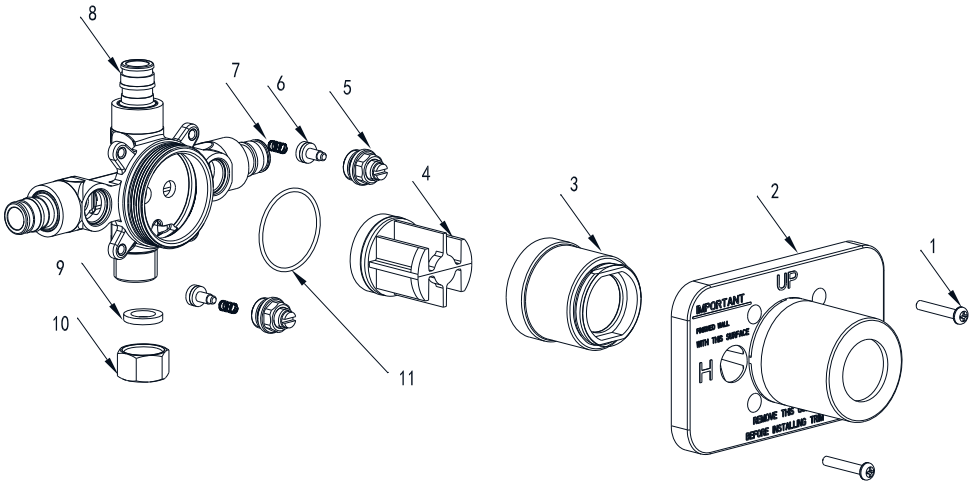
* please indicate finish for these parts



Replacement Parts / Pieces de rechange

No.	Description	Part No.
1	Lock Screw	CTST1005
2	Plaster Guard	CTCP0704
3	Threaded Sleeve	CTCZ0232
4	Plug	ATBQ0390
5	Checkstop	ATBY0370
6	Spring	CTBT0123
7	Checkstop	ATBA0435
8	Body	ATBY0395
9	Washer	CTWR0088
10	Plug	CTTB0038
11	O-ring	CTRR0204

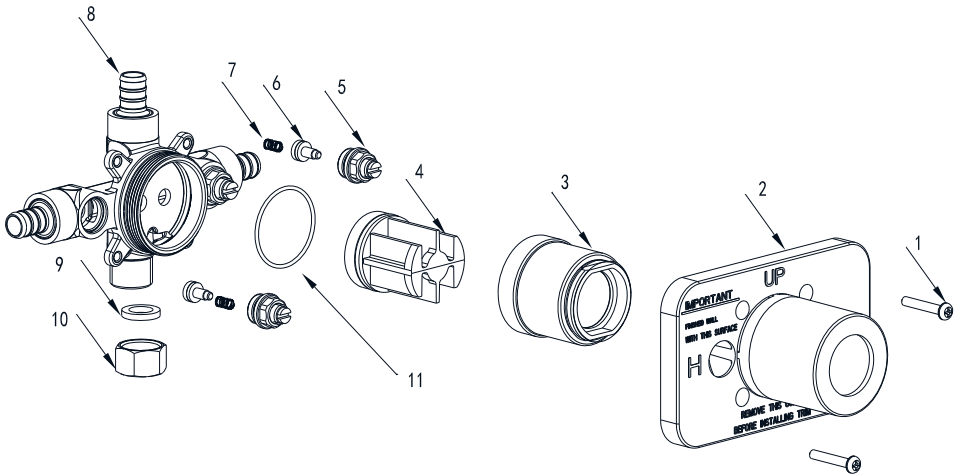
* please indicate finish for these parts



Replacement Parts / Pieces de rechange

No.	Description	Part No.
1	Lock Screw	CTST1005
2	Plaster Guard	CTCP0704
3	Threaded Sleeve	CTCZ0232
4	Plug	ATBQ0390
5	Checkstop	ATBY0370
6	Spring	CTBT0123
7	Checkstop	ATBA0435
8	Body	ATBY0394
9	Washer	CTWR0088
10	Plug	CTTB0038
11	O-ring	CTRR0204

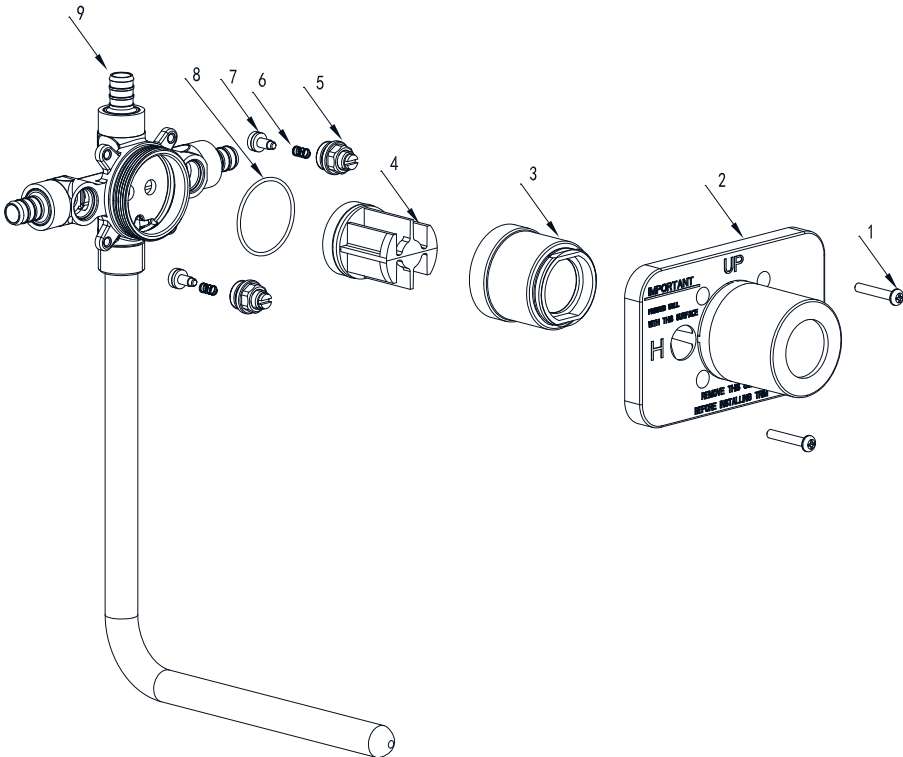
* please indicate finish for these parts



Replacement Parts / Pieces de rechange

No.	Description	Part No.
1	Lock Screw	CTST1005
2	Plaster Guard	CTCP0704
3	Threaded Sleeve	CTCZ0232
4	Plug	ATBQ0390
5	Checkstop	ATBY0370
6	Spring	CTBT0123
7	Checkstop	ATBA0435
8	O-ring	CTRR0204
9	Body	ATBY0396

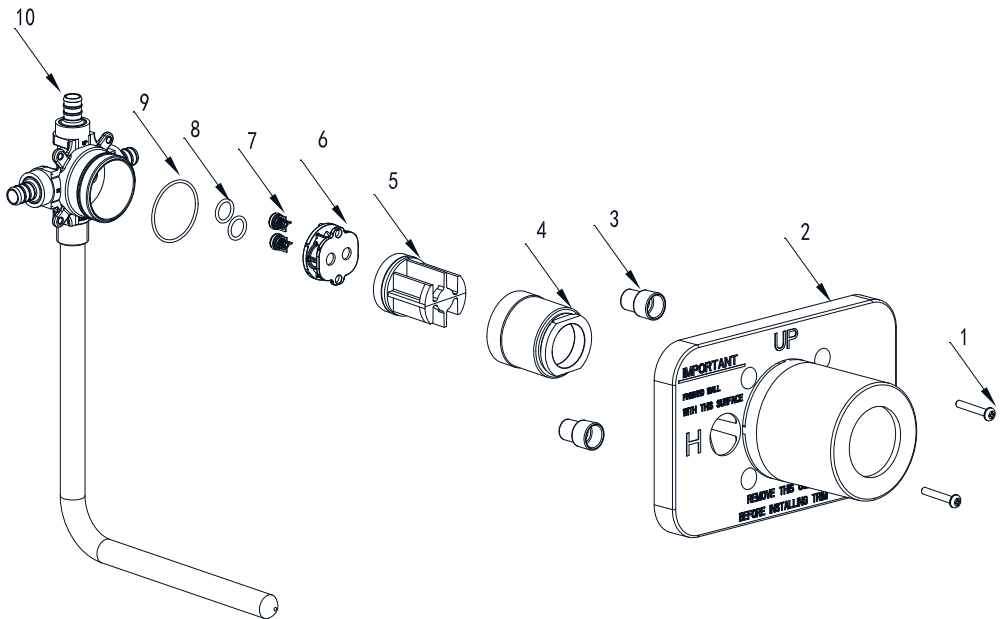
* please indicate finish for these parts



Replacement Parts / Pieces de rechange

No.	Description	Part No.
1	Lock Screw	CTST0182
2	Plaster Guard	CTCP0704
3	Adapter	CTMP0059
4	Threaded Sleeve	CTCT0051
5	Plug	ATBQ0390
6	Base	CTDP0082
7	Checkstop	ATBA0240
8	O-ring	CTRR0076
9	O-ring	CTRR0204
10	Body	ATBY0399

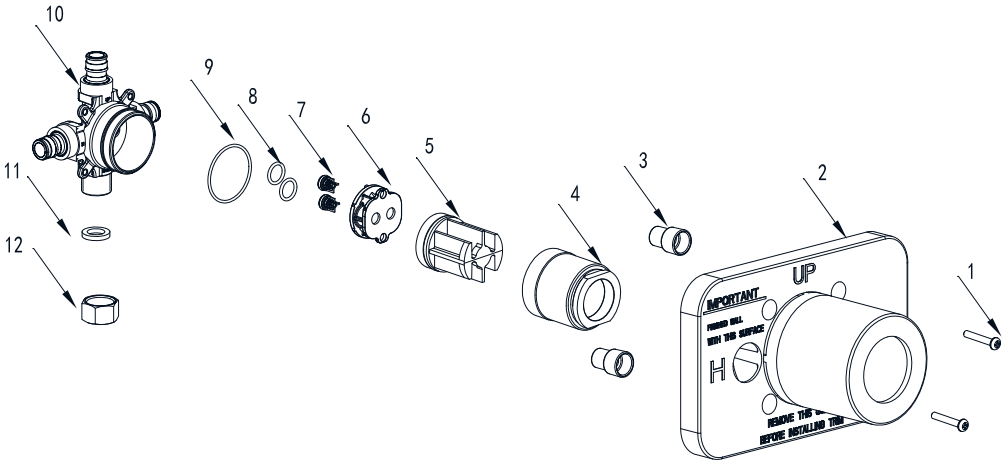
* please indicate finish for these parts



Replacement Parts / Pieces de rechange

No.	Description	Part No.
1	Lock Screw	CTST0182
2	Plaster Guard	CTCP0704
3	Adapter	CTMP0059
4	Threaded Sleeve	CTCT0051
5	Plug	ATBQ0390
6	Base	CTDP0082
7	Checkstop	ATBA0240
8	O-ring	CTRR0076
9	O-ring	CTRR0204
10	Body	ATBY0398
11	Washer	CTWR0088
12	Plug	CTTB0038

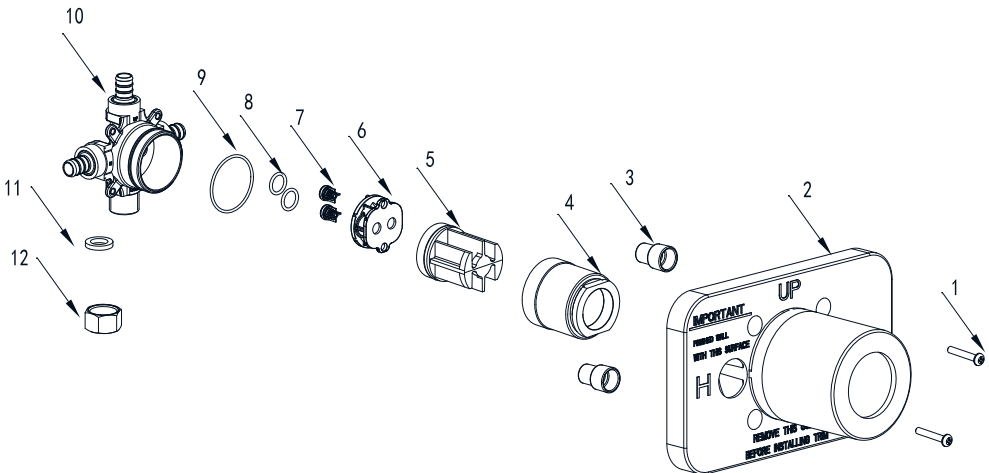
* please indicate finish for these parts



Replacement Parts / Pieces de rechange

No.	Description	Part No.
1	Lock Screw	CTST0182
2	Plaster Guard	CTCP0704
3	Adapter	CTMP0059
4	Threaded Sleeve	CTCT0051
5	Plug	ATBQ0390
6	Base	CTGP0082
7	Checkstop	ATBA0240
8	O-ring	CTRR0076
9	O-ring	CTRR0204
10	Body	ATBY0397
11	Washer	CTWR0088
12	Plug	CTTB0038

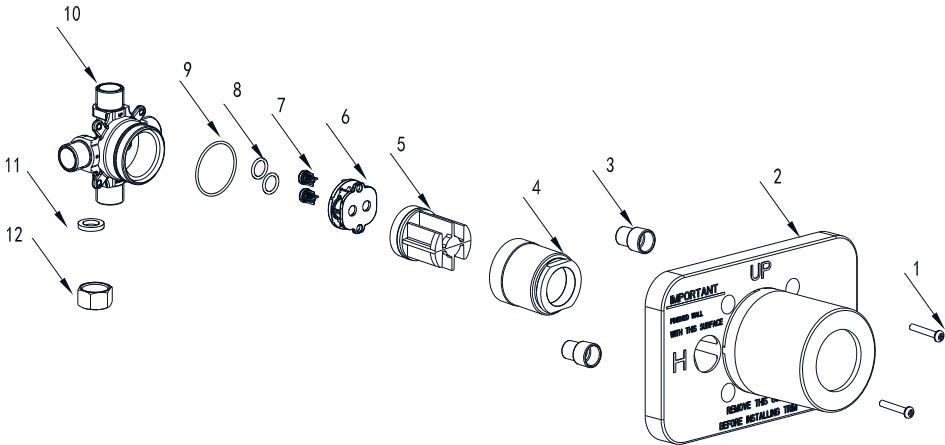
* please indicate finish for these parts



Replacement Parts / Pieces de rechange

No.	Description	Part No.
1	Lock Screw	CTST0182
2	Plaster Guard	CTCP0704
3	Adapter	CTMP0059
4	Threaded Sleeve	CTCT0051
5	Plug	ATBQ0390
6	Base	CTGP0082
7	Checkstop	ATBA0240
8	O-ring	CTRR0076
9	O-ring	CTRR0204
10	Body	ATBY0396
11	Washer	CTWR0088
12	Plug	CTTB0038

* please indicate finish for these parts



Replacement Parts / Pieces de rechange

No.	Description	Part No.
1	Lock Screw	CTST1008
2	Plaster Guard	CTCP0704
3	Adapter	CTMP0054
4	Threaded Sleeve	CTCT0501
5	Plug	ATBQ0390
6	Base	CTGP0082
7	Checkstop	ATBA0240
8	O-ring	CTRR0076
9	O-ring	CTRR0204
10	Body	ATBY0274
11	Washer	CTWR0088
12	Plug	CTNP0063

* please indicate finish for these parts

