

# Water Supply Angle Stop Valve

## Product Specifications

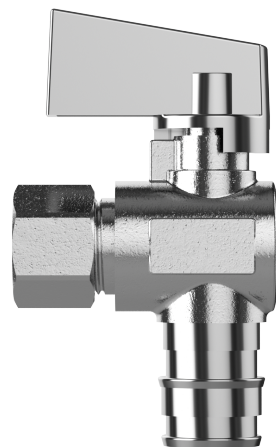
### FEATURES

- Easy Quarter Turn Operation
- Inlet - 1/2" Nom. Barb (For PEX)
- Outlet - 3/8" O.D. Comp.
- Temperature: 40° to 140° Fahrenheit
- Pressure: 125 PSI Maximum
- Material: Machined One Piece Brass Body
- Chrome Plated

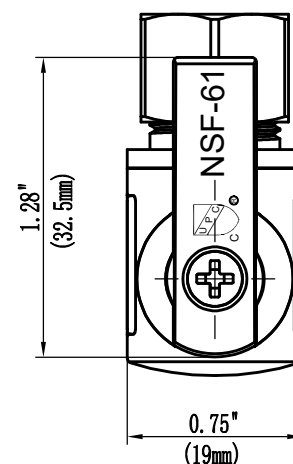
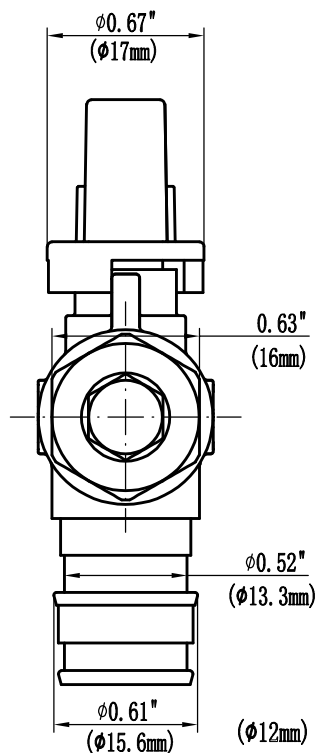
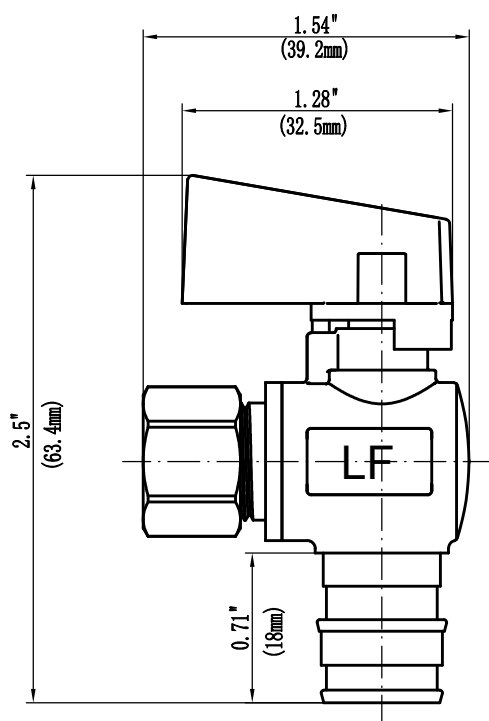
### APPLICABLE STANDARDS/CODES

Specified model meets or exceeds the following:

- ASME A112.18.1/CSA B125.1
- IAPMO/cUPC
- NSF/ANSI 372
- NSF/ANSI 61 – Sec. 9
- \*≤ .25% Pb
- PEX Inlet Complies with ASTM F1960



**MLQTCEPX19CX-L**



### Warranty

See warranty information for more details.

All dimensions listed are nominal. MAINLINE® reserves the right to make product and material changes at any time without notice.



Contact your sales representative for more information or visit our website at [mainlinecollection.ca](http://mainlinecollection.ca)