

Lead Free* Lavatory Connector - 3/8" Comp. x 1/2" FIP



Product Specifications

FEATURES

- Temperature: 180° Fahrenheit Maximum Working Temperature
- Pressure: 125 PSI Maximum Burst Pressure
- Material: Gray Nylon Braids, Brass Nuts, Brass Barbs, Rubber Washers, Stainless Steel Ferrules

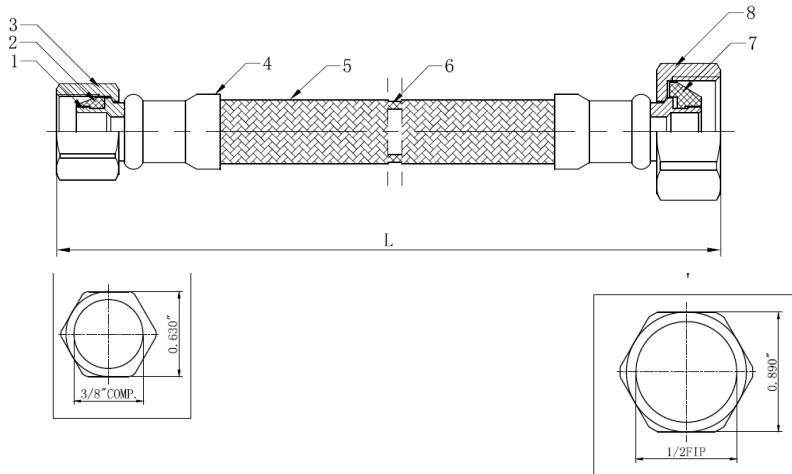


APPLICABLE STANDARDS/CODES

Specified model meets or exceeds the following:

- ASME A112.18.6/ CSA B125.6
- IAPMO/cUPC
- AB1953
- NSF/ANSI 372
- NSF/ANSI 61 – Sec. 9
- *≤ .25% Pb

✓ To Submit	Part #	Description	Connector Length (in)
	MLB112AF-N	Lead Free* Lavatory Connector - 3/8 Comp. x 1/2 FIP	12"
	MLB120AF-N	Lead Free* Lavatory Connector - 3/8 Comp. x 1/2 FIP	20"



Material Specifications

No.	Description	Material
1	Insert	C37100
2	Washer	EPDM
3	Nut	HPb57-3
4	Ferrule	SS304
5	NYLON BRAIDED	NYLON
6	INNER TUBE	PVC
7	Washer	EPDM
8	Nut	HPb57-3

Warranty

See warranty information for more details.

All dimensions listed are nominal. MAINLINE® reserves the right to make product and material changes at any time without notice.

NSF/ANSI 372
NSF/ANSI 61-9



Contact your sales representative for more information or visit our website at mainlinecollection.ca