

# Lead Free\* Closet Connector - 3/8" Comp. x 7/8" Ballcock



## Product Specifications

### FEATURES

- Temperature: 180° Fahrenheit Maximum Working Temperature
- Pressure: 125 PSI (8.6bar) Maximum Burst Pressure
- Material: Gray Nylon Braid, Brass Nuts, Plastic Nut, Brass Barbs, Rubber Washers, Stainless Steel Ferrules

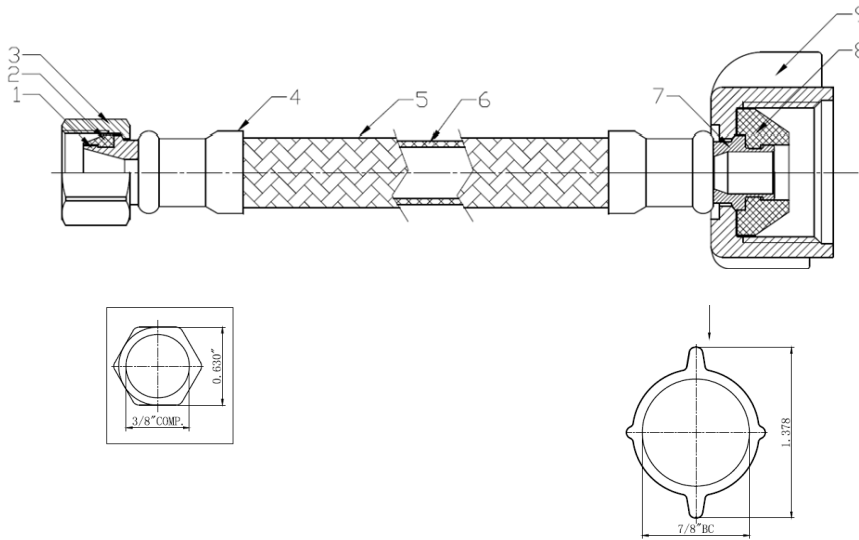
### APPLICABLE STANDARDS/CODES

Specified model meets or exceeds the following:

- ASME A112.18.6/ CSA B125.6
- IAPMO/cUPC
- AB1953
- NSF/ANSI 372
- NSF/ANSI 61 – Sec. 9
- \*≤ .25% Pb



✓ To Submit	Part #	Description	Connector Length (in)
	MLB112DLF-N	Lead Free* Closet Connector - 3/8 Comp. x 7/8 Ballcock	12"
	MLB120DLF-N	Lead Free* Closet Connector - 3/8 Comp. x 7/8 Ballcock	20"



#### Material Specifications

No.	Description	Material
1	Insert	C37100
2	Washer	EPDM
3	Nut	HPb57-3
4	Ferrule	SS304
5	Nylon Braided	Nylon
6	INNER TUBE	PVC
7	Insert	C37100
8	Washer	EPDM
9	Plastic Nut	PP

### Warranty

See warranty information for more details.

All dimensions listed are nominal. MAINLINE® reserves the right to make product and material changes at any time without notice.

NSF/ANSI 372  
NSF/ANSI 61-9



Contact your sales representative for more information or visit our website at [mainlinecollection.ca](http://mainlinecollection.ca)