

## SPECIFICATIONS



Solder Connections

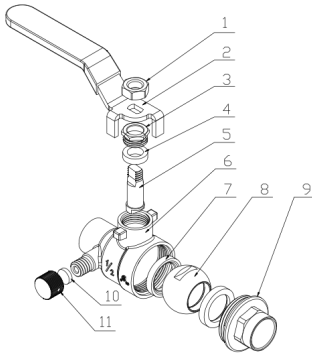
### Features

- 600 WOG
- Maximum temperature 100°C/212°F
- Lead Free Brass Body
- Full Port
- Lead Free Brass Ball
- CSA, NSF-61, NSF-372 Certified
- Warranty – Limited 3 Year

### MODELS

PART#	SIZE	INNER BOX QTY	CARTON QTY
MLBVF2121 - D	1/2"	10	100
MLBVF2341 - D	3/4"	10	60
MLBVF2011 - D	1"	6	36

### Drawings

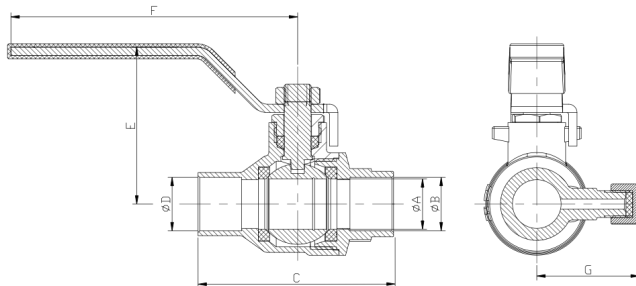


### Parts\*

NO	PART	MATERIAL	SPECIFICATION
1	Nut	Steel	# 35
2	Handle	Steel	# 35
3	Pressure Cap	Brass	C38510
4	Grommet	PTFE	PTFE
5	Stem	Brass	C38510
6	Body	Lead Free Brass	C46500
7	Ball Seat	PTEF	PTFE
8	Ball	Lead Free Brass	C46500
9	Bonnet	Lead Free Brass	C46500
10	Shim	NBR	NBR
11	Plug	Brass	C38510

### Dimensions (inches), & Valve Data:

- Parts List provided for reference purpose. Only Handles available for replacement



SIZE	1/2"	3/4"	1"
ΦA	0.591	0.749	0.985
ΦB	0.627	0.877	1.128
C	2.304	2.815	3.288
ΦD	0.627	0.877	1.128
E	1.871	2.234	2.402
F	3.544	4.489	4.489
G	1.123	1.213	1.449

### Pressure & Temperature Range

TEMPERATURE RANGE	OPERATING TEMPERATURE	MIN & MAX PRESSURE RATINGS, PSI
-4°F - 212°F -20°C - 100°C	-4°F - 176°F -20°C - 80°C	0 - 600 PSI

### Service & Parts

Please reach out to [epleservice@emcoltd.com](mailto:epleservice@emcoltd.com) for support/ visit [mainlinecollection.ca](http://mainlinecollection.ca) / CANADA +1 (450) 621 5636