



# Push Connect® Brass FIP Reducing Adapters

## Product Specifications

### PRODUCT FEATURES

- Forged Lead Free\* Brass
- Maximum Working Pressure: 200 PSI
- Maximum Temperature Rating: 200° F
- Compatible with Copper, CPVC, PEX & PE-RT
- Replaceable O-Ring Seal Design
- Removable and Reusable
- Push to Connect
- Full Flow
- Pre-Inserted Stiffener



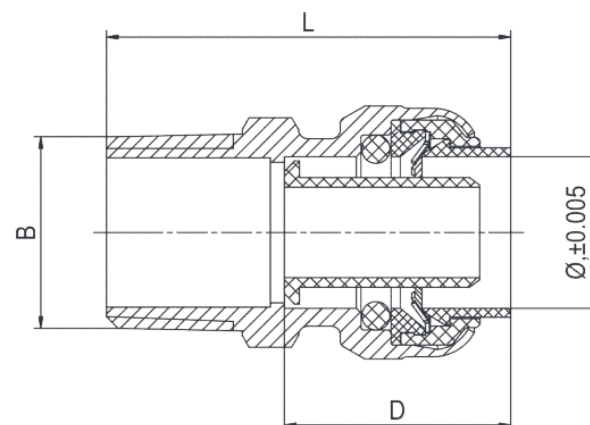
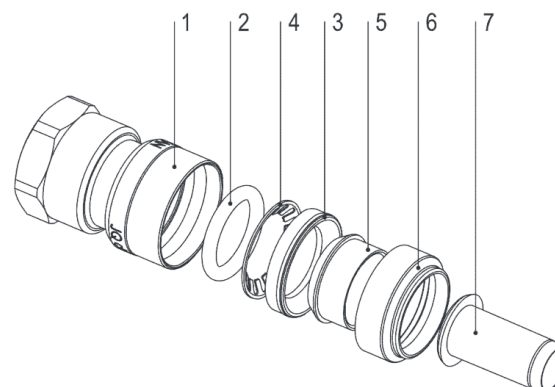
### APPROVED APPLICATIONS

- Plumbing
- Heating
- Irrigation
- Underground
- Hydronic Heating
- Behind Walls without Access Panel

*NOTE: When using PEX, a tube stiffener should be inserted into the PEX tubing end prior to insertion into the fitting.*

### MATERIALS & SPECIFICATIONS

#	Component	Material (<= 1")
1	Body	Lead Free Brass
2	O-Ring Seal	EPDM70
3	Support Ring	PA66
4	Grip Ring	Stainless Steel
5	Push Ring	POM
6	Seat Ring	POM
7	Bushing	PSU



To Submit	Part #	Size
✓	MLPFB91234	1/2" x 3/4" FIP

### FORCES FOR MECHANICAL SEPARATION TEST

Nominal Size	Longitudinal (Pull) Test		
	Inches	mm	Lbf
1/2	13	150	667
3/4	19	275	1223.2

### DIMENSIONS

#	Φ	D	L	B
MLPFB91234	0.64	0.97	1.63	3/4" FIP

### Warranty

See warranty information for more details.

All dimensions listed are nominal. MAINLINE® reserves the right to make product and material changes at any time without notice.



**Contact your sales representative for more information or visit our website at [mainlinecollection.com](http://mainlinecollection.com)**