



Push Connect® Brass FIP Adapters

Product Specifications

Page 1 of 2

PRODUCT FEATURES

- Forged Lead Free* Brass
- Maximum Working Pressure: 200 PSI
- Maximum Temperature Rating: 200° F
- Compatible with Copper, CPVC, PEX & PE-RT
- Replaceable O-Ring Seal Design
- Removable and Reusable
- Push to Connect
- Full Flow
- Pre-Inserted Stiffener



APPROVED APPLICATIONS

- Plumbing
- Heating
- Irrigation
- Underground
- Hydronic Heating
- Behind Walls without Access Panel

NOTE: When using PEX, a tube stiffener should be inserted into the PEX tubing end prior to insertion into the fitting.

✓ To Submit	Part #	Size
	MLPFB912	1/2" x 1/2"FIP
	MLPFB934	3/4" x 3/4"FIP

FORCES FOR MECHANICAL SEPARATION TEST

Nominal Size		Longitudinal (Pull) Test	
Inches	mm	Lbf	N
1/2	13	150	667
3/4	19	275	1223.2
1	25	475	2112.8

Warranty

See warranty information for more details.

All dimensions listed are nominal. MAINLINE® reserves the right to make product and material changes at any time without notice.



Contact your sales representative for more information or visit our website at mainlinecollection.com

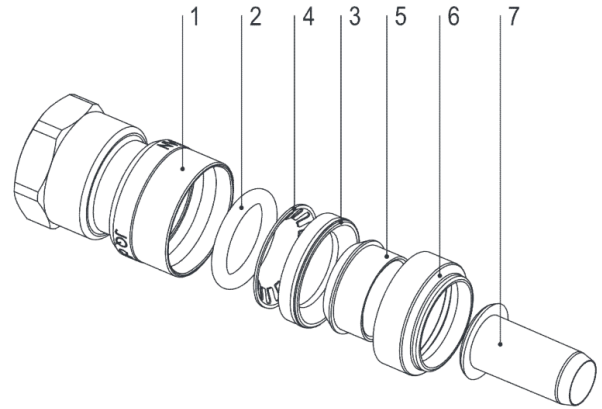
Push Connect[®] Brass FIP Adapters

Product Specifications

Page 2 of 2

MATERIALS & SPECIFICATIONS

#	Component	Material (<= 1")
1	Body	Lead Free Brass
2	O-Ring Seal	EPDM70
3	Support Ring	PA66
4	Grip Ring	Stainless Steel
5	Push Ring	POM
6	Seat Ring	POM
7	Bushing	PSU



DIMENSIONS

#	Φ	D	L	B
MLPFB912	0.64	0.97	1.58	1/2" FIP
MLPFB934	0.88	1.11	1.76	3/4" FIP

