



# Push Connect<sup>®</sup> Brass Slip Repair Couplings

Product Specifications

Page 1 of 2

## PRODUCT FEATURES

- Forged Lead Free\* Brass
- Maximum Working Pressure: 200 PSI
- Maximum Temperature Rating: 200° F
- Compatible with Copper, CPVC, PEX & PE-RT
- Replaceable O-Ring Seal Design
- Removable and Reusable
- Push to Connect
- Full Flow



## APPROVED APPLICATIONS

- Plumbing
- Heating
- Irrigation
- Underground
- Hydronic Heating
- Behind Walls without Access Panel

*NOTE: When using PEX, a tube stiffener should be inserted into the PEX tubing end prior to insertion into the fitting.*

## FORCES FOR MECHANICAL SEPARATION TEST

Nominal Size		Longitudinal (Pull) Test	
Inches	mm	Lbf	N
1/2	13	150	667
3/4	19	275	1223.2
1	25	475	2112.8

✓ To Submit	Part #	Size
	MLPFB612	1/2" x 1/2"
	MLPFB634	3/4" x 3/4"
	MLPFB601	1" x 1"

## Warranty

See warranty information for more details.

All dimensions listed are nominal. MAINLINE<sup>®</sup> reserves the right to make product and material changes at any time without notice.



**Contact your sales representative for more information or visit our website at [mainlinecollection.com](http://mainlinecollection.com)**

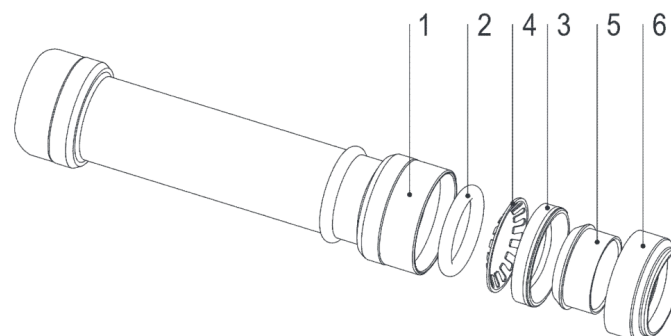
# Push Connect<sup>®</sup> Brass Slip Repair Couplings

Product Specifications

Page 2 of 2

## MATERIALS & SPECIFICATIONS

#	Component	Material <=1"
1	Body	Lead Free Brass
2	O-Ring Seal	EPDM70
3	Support Ring	PA66
4	Grip Ring	Stainless Steel
5	Pushing Ring	POM
6	Seat Ring	POM



## DIMENSION

#	Ø	D	L
MLPFB612	0.64	0.97	4.15
MLPFB634	TBD	TBD	TBD
MLPFB601	TBD	TBD	TBD

