

# Push Connect® Brass 90 Degree Reducing Elbows

## Product Specifications



### PRODUCT FEATURES

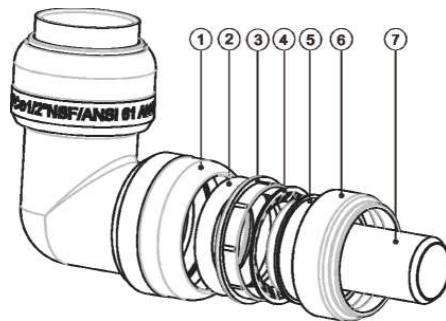
- Forged Lead Free\* Brass
- Maximum Working Pressure: 200 PSI
- Maximum Temperature Rating: 200° F
- Compatible with Copper, CPVC, PEX & PE-RT
- Replaceable O-Ring Seal Design
- Removable and Reusable
- Push to Connect
- Full Flow
- Pre-Inserted Stiffener



### APPROVED APPLICATIONS

- Plumbing
- Heating
- Irrigation
- Underground
- Hydronic Heating
- Behind Walls without Access Panel

NOTE: When using PEX, a tube stiffener should be inserted into the PEX tubing end prior to insertion into the fitting.



### MATERIALS & SPECIFICATIONS

| # | Component    | Material (<= 1") |
|---|--------------|------------------|
| 1 | Body         | Lead Free Brass  |
| 2 | O-Ring Seal  | EPDM70           |
| 3 | Support Ring | PA66             |
| 4 | Grip Ring    | Stainless Steel  |
| 5 | Push Ring    | POM              |
| 6 | Seat Ring    | POM              |
| 7 | Bushing      | PSU              |

### DIMENSIONS

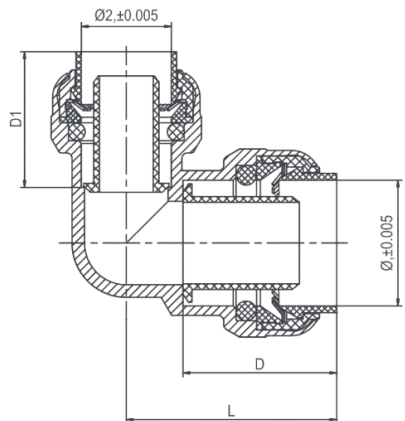
| #          | Φ    | D    | L    | Φ2   | D1   |
|------------|------|------|------|------|------|
| MLPFB33412 | 0.88 | 1.11 | 1.51 | 0.64 | 0.97 |

| ✓ To Submit | Part #     | Size        |
|-------------|------------|-------------|
|             | MLPFB33412 | 3/4" x 1/2" |

### Warranty

See warranty information for more details.

All dimensions listed are nominal. MAINLINE® reserves the right to make product and material changes at any time without notice.



### FORCES FOR MECHANICAL SEPARATION TEST

| Nominal Size |    | Longitudinal (Pull) Test |        |
|--------------|----|--------------------------|--------|
| Inches       | mm | Lbf                      | N      |
| 1/2          | 13 | 150                      | 667    |
| 3/4          | 19 | 275                      | 1223.2 |
| 1            | 25 | 475                      | 2112.8 |



Contact your sales representative for more information or visit our website at [mainlinecollection.com](http://mainlinecollection.com)