



Push Connect® Brass Reducing Couplings

Product Specifications

Page 1 of 2

PRODUCT FEATURES

- Forged Lead Free* Brass
- Maximum Working Pressure: 200 PSI
- Maximum Temperature Rating: 200° F
- Compatible with Copper, CPVC, PEX & PE-RT
- Replaceable O-Ring Seal Design
- Removable and Reusable
- Push to Connect
- Full Flow
- Pre-Inserted Stiffener



APPROVED APPLICATIONS

- Plumbing
- Heating
- Irrigation
- Underground
- Hydronic Heating
- Behind Walls without Access Panel

NOTE: When using PEX, a tube stiffener should be inserted into the PEX tubing end prior to insertion into the fitting.

FORCES FOR MECHANICAL SEPARATION TEST

Nominal Size		Longitudinal (Pull) Test	
Inches	mm	Lbf	N
1/2	13	150	667
3/4	19	275	1223.2
1	25	475	2112.8

✓ To Submit	Part #	Size
	MLPFB13412	3/4" x 1/2"
	MLPFB10134	1" x 3/4"

Warranty

See warranty information for more details.

All dimensions listed are nominal. MAINLINE® reserves the right to make product and material changes at any time without notice.



Contact your sales representative for more information or visit our website at mainlinecollection.com

Push Connect® Brass Reducing Couplings

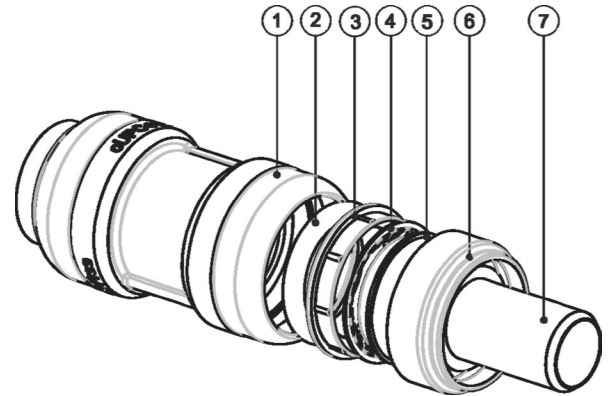
Product Specifications

Page 2 of 2



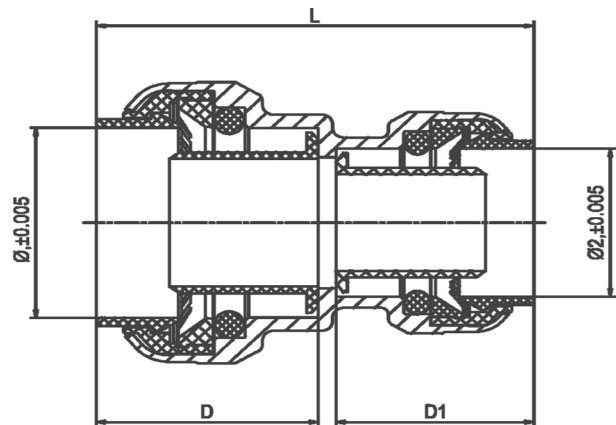
MATERIALS & SPECIFICATIONS

#	Component	Material (< = 1")
1	Body	Lead Free Brass
2	O-Ring Seal	EPDM70
3	Support Ring	PA66
4	Grip Ring	Stainless Steel
5	Push Ring	POM
6	Seat Ring	POM
7	Bushing	PSU



DIMENSIONS

#	Φ	Φ2	D	L	D1
MLPFB13412	0.88	0.64	1.11	2.14	0.97
MLPFB10134	1.14	0.88	1.21	2.41	1.11



Contact your sales representative for more information or visit our website at mainlinecollection.com