



MAINLINE®

Preferred by the pros.™

PexA (Cold Expansion) Adapter

SPECIFICATIONS

Features

- PexA (Cold Expansion) Adapter Fitting for Mainline Pro-versa rough-in valves.
- Add-on Component
- Can be added to valve inlets only



MSRI-PA

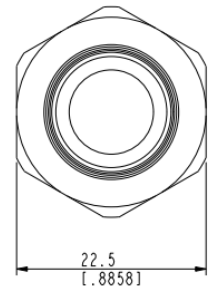
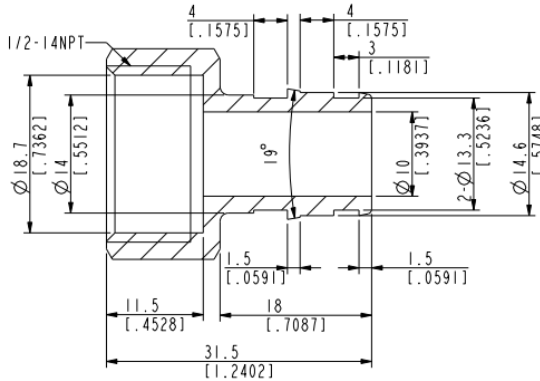
NSF/ANSI 372
NSF/ANSI 61-9



Mainline products have been manufactured under the highest standards of quality and workmanship. That is why we offer "Limited Lifetime" warranty on this fitting if used with Mainline pro-versa rough-in valves.



Drawings



SUBMITTAL INFORMATION

Name: _____ Contractor: _____

Location: _____ Contact #: _____

Notes: _____

Service & Parts

Please reach out to epleservice@emcoltd.com for support/ visit mainlinecollection.ca / CANADA +1 (450) 621 5636