





SPECIFICATIONS


Features

- Finished Metal Body
- Hybrid Ball Joint
- ½" – 14 NPSM Connections



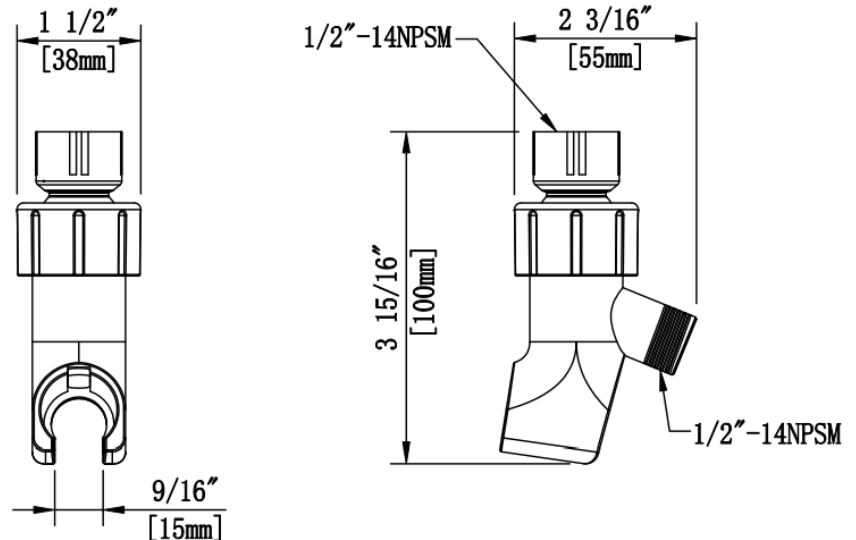
MLSAH

Standards & Certifications			
			
	✓		

Available Finishes			
			
✓	✓	✓	✓

Please visit www.mainlinecollection.ca for available finishes. Finish is defined by additional suffix.

Drawings



Specified model meets or exceeds the following:

- ASME A112.18.1/CSA B125.1
- IAPMO/cUPC

AVAILABLE MODELS

N/A

Mainline products have been manufactured under the highest standards of quality and workmanship. That is why we offer "Limited 5 Year" warranty on the function and finish of our accessories.



SUBMITTAL INFORMATION

Name: _____ Contractor: _____

Location: _____ Contact #: _____

Notes: _____

Service & Parts

Please reach out to epleservice@emcoltd.com for support/ visit mainlinecollection.ca / CANADA +1 (450) 621 5636