

SPECIFICATIONS

Features

- Pro versa Tub & Shower **Rough-in valve** w/integral stops
- Pressure Balance Valve
- Pro-Versa Ceramic Disc Cartridge (Included with the Mainline 511 Series trim)
- Includes Plaster Guard and Pressure-Test Cap
- Flow Rate : 26.5 LPM/7.0 GPM at 60 psi
- Brass Construction
- 1/2"-14 NPT Connection
- With Check Valve
- Adjustable temperature limit stop to control maximum hot water
- Suited for standard Back-to-back and thin wall installation
- Easy-to-access mounting system (Hardware included)
- 100% Factory Tested





MAINLINE®
ProVersa

M410

NSF/ANSI 372
NSF/ANSI 61-9
UPC
C

Add-on Components

		
MSRI-PA Rough-in valve adapter PEX-A For cold Expansion Pex Pipes	MSRI-PB Rough-in valve adapter PEX-B For CrimpPex Pipes	MRIV-EXT Rough-in Valve Deep Wall installation Kit

Specified model meets or exceeds the following:

- ASME A112.18.1/CSA B125.1
- IAPMO/cUPC

AVAILABLE MODELS

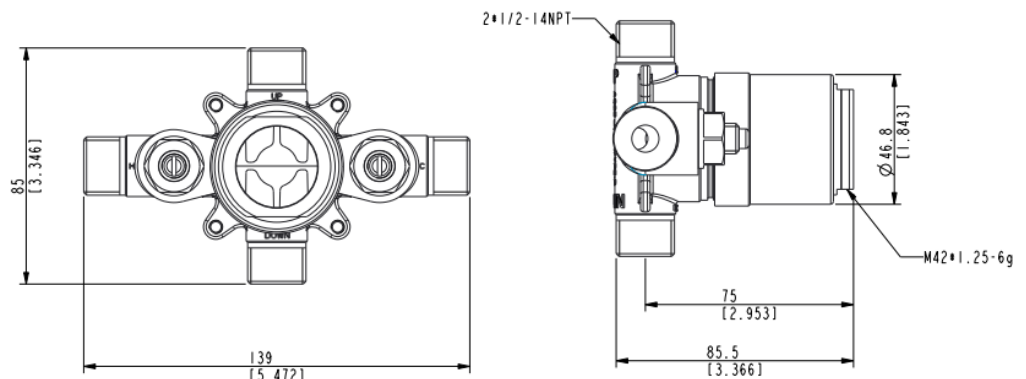
M420 – Tub & Shower Rough-in valve(2-Way)

Mainline products have been manufactured under the highest standards of quality and workmanship. That is why we offer "Limited Lifetime" warranty on the function and finish of our rough-in valves.



Please visit www.mainlinecollection.ca for available finishes. Finish is defined by additional suffix.

Drawings



SUBMITTAL INFORMATION

Name: _____ Contractor: _____
 Location: _____ Contact #: _____
 Notes: _____

Service & Parts

Please reach out to epleservice@emcoltd.com for support/ visit mainlinecollection.ca / CANADA +1 (450) 621 5636