





## SPECIFICATIONS

### Features

- Includes Ceramic Disc Cartridge
- Requires Mainline M410 Rough-in Valve
- Co-ordinate with Endura Suite
- CUPC Certified
- Deep Installation Adapters (Optional)



ED511-CP

Standards & Certifications			
			
	✓		✓

Available Finishes			
✓			

Please visit [www.mainlinecollection.ca](http://www.mainlinecollection.ca) for available finishes. Finish is defined by additional suffix.

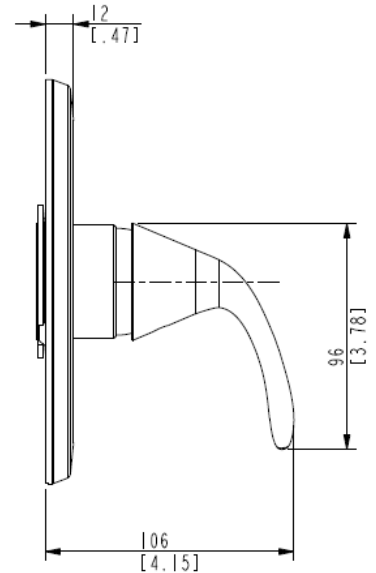
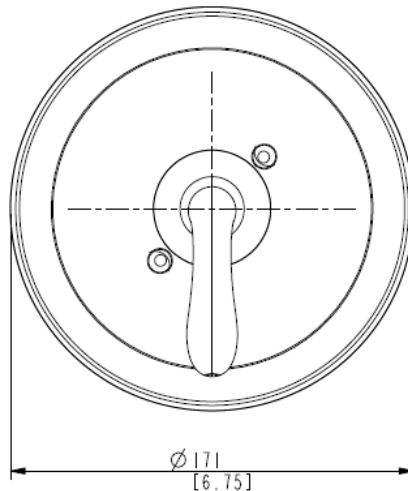
### Drawings – Valve Trim

Specified model meets or exceeds the following:

- ASME A112.18.1/CSA B125.1
- IAPMO/cUPC
- ADA for lever handle control

AVAILABLE FORMATS

Mainline products have been manufactured under the highest standards of quality and workmanship. That is why we offer "Limited Lifetime" warranty on the function and finish of our faucets.



## SUBMITTAL INFORMATION

Name: \_\_\_\_\_ Contractor: \_\_\_\_\_  
 Location: \_\_\_\_\_ Contact #: \_\_\_\_\_  
 Notes: \_\_\_\_\_

### Service & Parts

Please reach out to [epleservice@emcoltd.com](mailto:epleservice@emcoltd.com) for support/ visit [mainlinecollection.ca](http://mainlinecollection.ca) / CANADA +1 (450) 621 5636