

### SPECIFICATIONS

MAINLINE®  
Elite Series



#### Features

- 6.0 gpm (22.8 L/min) Max Flow @ 60 psi
- 4.6" (116mm) Spout Height
- Two Hole Deck Mount
- Includes Shower Hose
- Includes Single Function Jet hand Shower/Scale-free
- Includes hand shower mounting plate.

#### Components

- Stainless Steel Body and Handles
- Stainless Steel Hand Shower
- Ceramic Disc Cartridge
- Built in Diverter

#### Drain Type

NA

PM341SS

#### Standards & Certifications



Specified model meets or exceeds the following:

- ASME A112.18.1/CSA B125.1
- IAPMO/cUPC
- ADA

#### Available Finishes

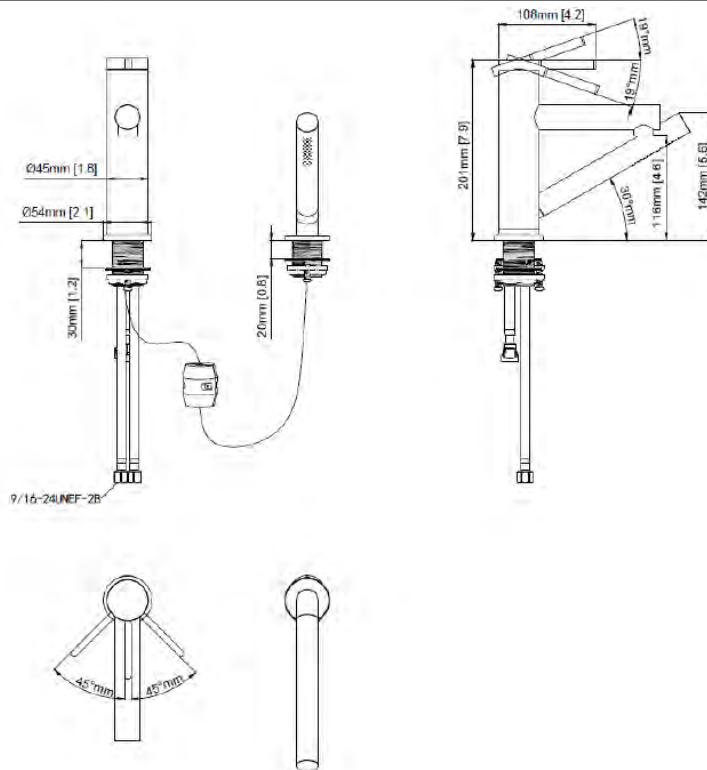
Polished Chrome CP	Brushed Nickel BN	Matte Black BLM	Brushed Bronze PBB
✓	✓	✓	

#### Mount Type

Deck Mount	Wall Mount	Floor Standing
✓		

Please visit [www.mainlinecollection.ca](http://www.mainlinecollection.ca) for available finishes. Finish is defined by additional suffix.

#### Drawings



#### AVAILABLE MODELS

- PM341SS-CP
- PM341SS-BN
- PM341SS-BLM



Mainline products have been manufactured under the highest standards of quality and workmanship. That is why we are able to offer a limited lifetime guarantee on the function and finish of our faucets.

### SUBMITTAL INFORMATION

Name: \_\_\_\_\_ Contractor: \_\_\_\_\_

Location: \_\_\_\_\_ Contact #: \_\_\_\_\_

Notes: \_\_\_\_\_

#### Service & Parts

Please reach out to [epleservice@emcoltd.com](mailto:epleservice@emcoltd.com) for support/ visit [mainlinecollection.ca](http://mainlinecollection.ca) / CANADA +1 (450) 621 5636