

Corrugated Copper Water Heater Connector

Connecteur de chauffe-eau en cuivre ondulé

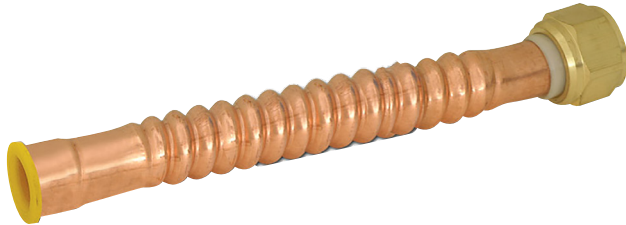
Product Specifications



MLWB03412

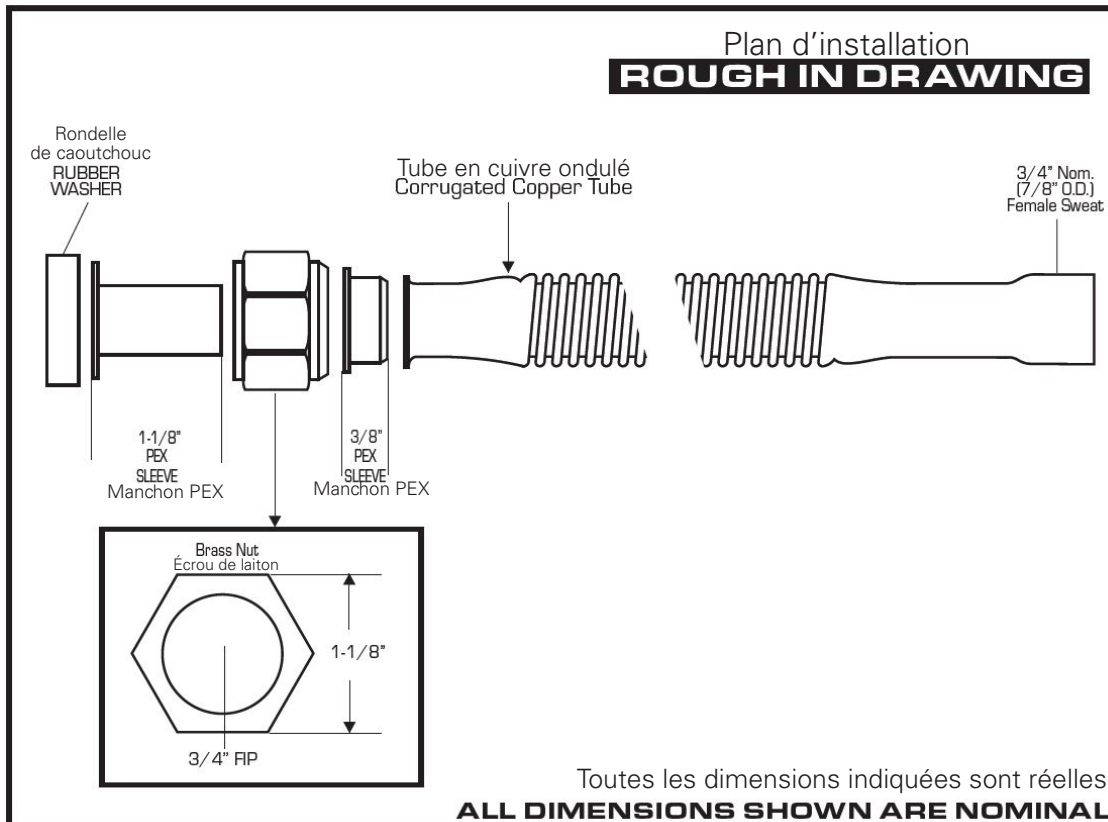
FEATURES

- 3/4" FIP x 3/4" Nom. Sweat End x 12"
- Corrugated Copper Tube
- Brass Nut
- Pex Sleeve
- Rubber Washer



CARACTÉRISTIQUES

- 3/4" FIP x 3/4" Nom. Sweat End x 12"
- Tube en cuivre ondulé
- Écrous en laiton
- Manchon PEX
- Rondelle de caoutchouc



Contact your sales representative for more information or visit our website at mainlinecollection.ca