

THERMOPLASTIC
Sump Pump

1/3
HORSEPOWER
MOTOR

With Vertical Float Switch

FEATURES

- Energy efficient 1/3 HP split capacitor motor. Lower amp draw, runs cooler, lasts longer
- Reinforced thermoplastic pump base and housing for durability
- Hermetically sealed, oil cooled motor for long pump life
- Non-clogging reinforced thermoplastic impeller
- 1-1/2" NPT discharge
- Handles up to 3/8" solids
- Automatic operation with vertical float switch
- Float switch features a piggyback plug which allows for manual or automatic operation
- Fully adjustable float switch bracket
- Motor is thermally protected with automatic reset thermal protector
- Stainless steel motor shaft
- Carbon/ceramic/stainless steel mechanical shaft seal
- Upper and lower permanently lubricated ball bearings
- Stainless steel fasteners
- Every unit is 100% pressure tested

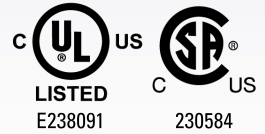
ENERGY EFFICIENT
SPLIT
CAPACITOR
MOTOR

3 YEAR
LIMITED WARRANTY

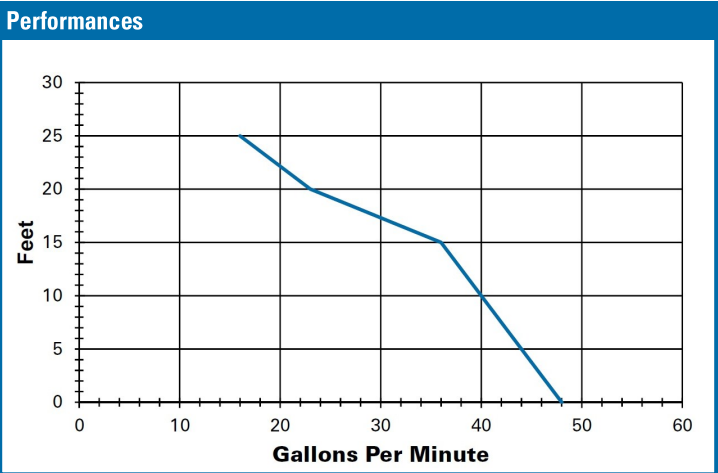


THERMOPLASTIC
Sump Pump

1/3
HORSEPOWER
MOTOR



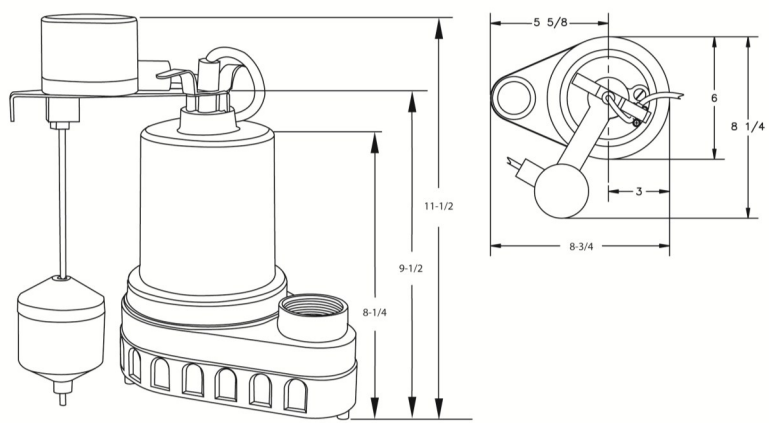
Application	
Submersible sump pump for typical residential and commercial applications	
Motor Specifications	
Horsepower	1/3 HP
Voltage	120
Amps	4.1
Hertz	60 Hz
Phase	Single
RPM	3450 RPM
Motor Type	Permanent Split Capacitor (PSC)
Insulation	Class A
Circuit Requirements	15 amp (min) individual circuit
Duty Rating	Continuous*
Shaft Seal	Carbon/ceramic and stainless steel
Motor Shaft	Stainless Steel
Upper Motor Bearing	Ball Bearing
Lower Motor Bearing	Ball Bearing
Cooling	Oil cooled
Motor Protection	Auto reset thermal overload protector



Discharge Height	0'	5'	10'	15'	20'	25'
Gallons Per Minute	48	44	40	36	23	16
Gallons Per Hour	2880	2640	2400	2160	1380	960

Pump Specifications	
Discharge Size	1-1/2" NPT
Cord Length	10'
Cord Type	SJTW, UL listed, 3-wire, 18 gauge
Pump Housing	Reinforced Thermoplastic
Pump Base	Reinforced Thermoplastic
Impeller Material	Reinforced Thermoplastic
Impeller Type	Non-clogging
Gasket	Buna-N
Solids Handling	3/8" spherical
Liquid Temp. Range	32°- 120° F
Operation	Automatic or non-automatic
Fasteners	Stainless steel
Max Flow Rate	48 Gallons per minute
Maximum Head	25 feet
Max Pressure	10.8 psi
Weight	8.7 lbs

Dimensions



Automatic Switch Specifications	
Type	SJE Rhombus Vertical Master II
Switch on point	6.5"
Switch off point	2"
Material	High impact PVC
Cord Length	10'
Cord Type	SJOW, UL listed, 2-wire, 18 gauge