

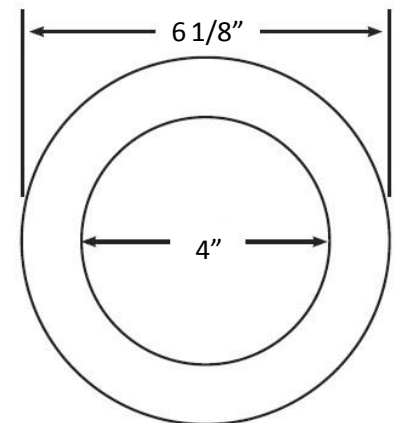
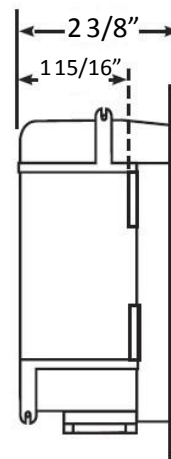
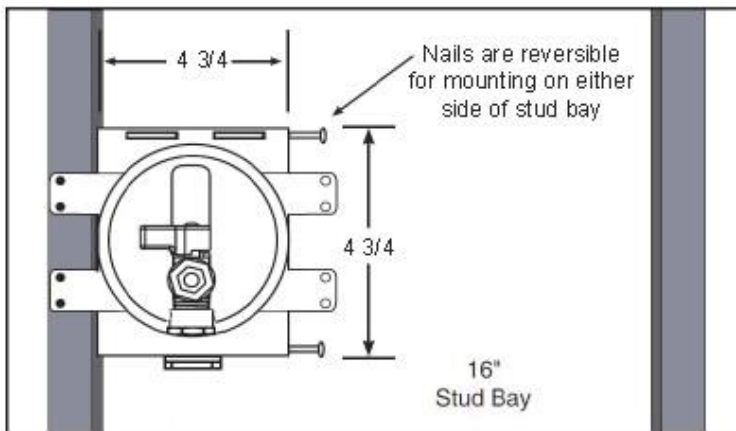
# Round Mini Ice Maker Outlet Boxes with Quarter Turn Hammer Arrestor Valve and Pre-Loaded Mounting Nails



## Product Specifications

### Product Features:

- Furnish and install miniature round ice maker outlet box with preloaded mounting nails and lead free valve with integral hammer arrester.
- Unit shall be MAINLINE® product code checked below as manufactured by IPS Corporation.
- Valves comply with ASME A112.18.1
- Hammer arresters comply with ASSE 1010
- **Valve is for illustration purposes only. See description below for valve options**



Product Code #	Product Description	Model Number	Units/Case
ML88373	1/4 Turn Lead Free Valve, 1/2" Sweat Conx., Contractor Pack	AB9200HACP	20
ML88378	1/4 Turn Lead Free Valve, 1/2" PEX Conx., Contractor Pack	AB9202HACP	20
ML88380	1/4 Turn Lead Free Valve, 1/2" Wirsbo® Conx., Contractor Pack	AB9211HACP	20
ML88381	1/4 Turn Lead Free Valve, 1/2" CPVC Conx., Contractor Pack	AB9201HACP	20

### Warranty

See warranty information for more details.

All dimensions listed are nominal. MAINLINE® reserves the right to make product and material changes at any time without notice.

Contact your sales representative for more information or visit our website at [mainlinecollection.ca](http://mainlinecollection.ca)