

2-Piece Tub Box

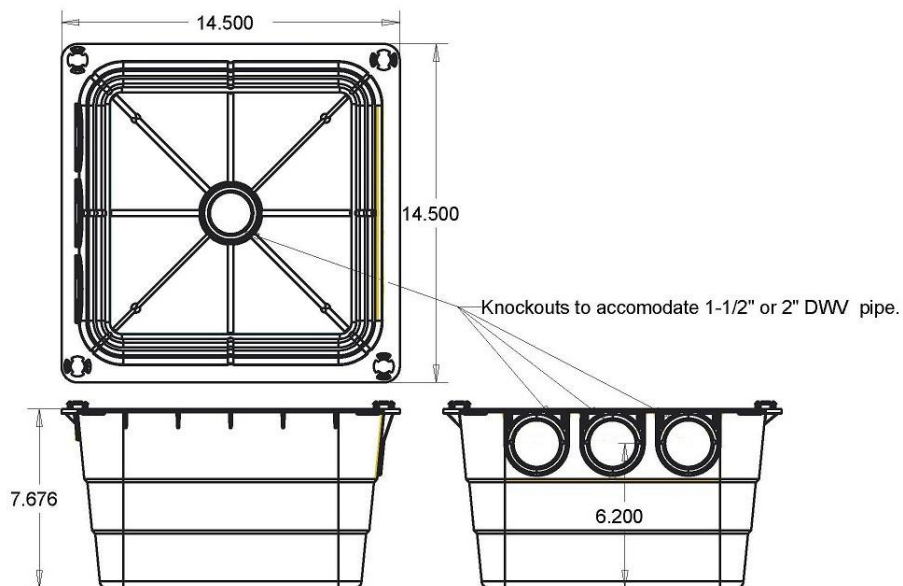
Product Specifications

FEATURES

- Creates access for tub trap and drain in slab foundation
- No concrete to cut or chisel
- Injection molded, high impact plastic
- Two piece design houses tub trap and drain assembly
- Pipe knockouts compatible with 1-1/2" to 2" pipe
- For use in concrete slab, wood floors or multi-story construction
- Bottom panel scored for easy breakout



| ✓ To Submit | Part # | Description |
|-------------|---------|--|
| | ML83302 | Plastic Heavy Duty Tub Box 7-3/4" Deep |



Warranty

See warranty information for more details.

All dimensions listed are nominal. MAINLINE® reserves the right to make product and material changes at any time without notice.



Contact your sales representative for more information or visit our website at mainlinecollection.ca