

Rectangular Drop in Lavatory



Product Specifications

VITREOUS CHINA

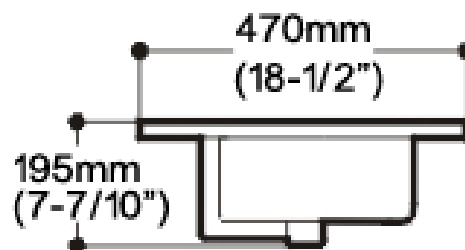
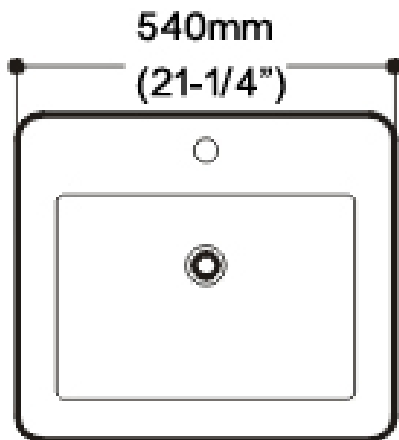
MAINLINE



ML421W-1

FEATURES

- Width: 21-1/4" (540mm)
- Depth: 18-1/2" (470mm)
- Shipping Weight: 22.10 lbs (10.00kg)
- Available in White.
- Scrapes resistant
- One hole faucet type with over flow



IMPORTANT:

Dimension of fixtures are nominal and may vary within the range of tolerances established by ASME standards A112.19.2

IMPORTANT:

Toutes les dimensions d'accessoires sont nominales et peuvent varier selon les paramètres de tolérance établie par les standards ASME A112.19.2



Contact your sales representative for more information or visit our website at mainlinecollection.ca