

## SPECIFICATIONS



### Features

- 3 Hole Configuration
- 20 Gauge High Quality Stainless Steel
- Type/Grade 304 Stainless Steel
- Premium Undercoating
- Superior Sound Absorption Pads
- Brushed Satin Finish

### Dimensions

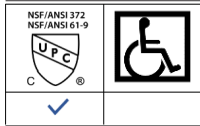
- Overall size: 31" x 20 1/2" Double Bowl
- Depth: 8"(left), 8"(right)
- Minimum/Standard Cabinet Size: 33"
- Drain Opening: 3-1/2"
- Drain Placement: Rear

### Accessories

- Stainless Steel Strainer with Plastic Tail Piece - Included
- Mounting Clips - Included
- Cut Out Template - Included
- Stainless Steel Bottom Grids - Not Available

ML3120-8-20-3R

### Standards & Certifications



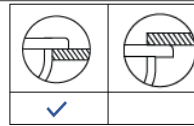
### Type/ Grade of Material Used

16G 	18G 	20G 	22G 
		✓	

### Available Finishes

Brushed Satin	Pearl Black
✓	

### Mount Type



### Number of Holes

○	○○	○○○
		✓

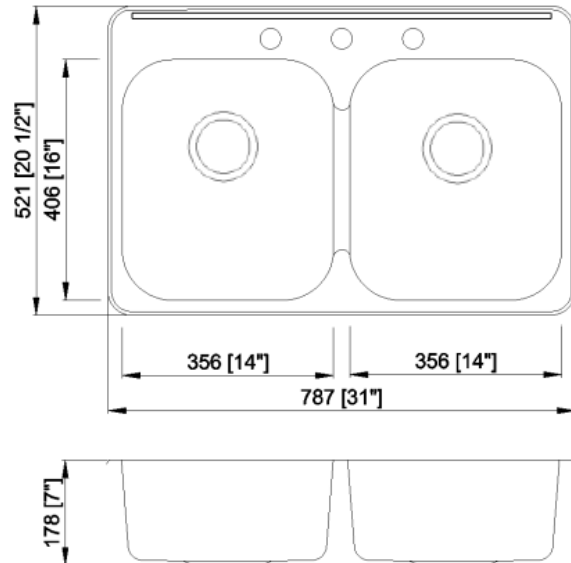
Please visit [www.mainlinecollection.ca](http://www.mainlinecollection.ca) for available finishes & options. Finish is defined by additional suffix.

### Similar Models

MODEL	SIZE(INCH)	DEPTH	HOLES
ML3120-7-20-1R	31" X 20"	7"	1 Hole
ML3120-7-20-3R	31" X 20"	7"	3 Hole
ML3120-8-20-1R	31" X 20"	8"	1 Holes

Please visit [www.mainlinecollection.ca](http://www.mainlinecollection.ca) for more information.

### Drawings



Mainline warrants to the original purchaser of Mainline Stainless Steel sinks installed in the United States or Canada for as long as the original purchaser owns his or her home that Mainline will provide an equivalent sink to replace any Mainline Stainless Steel sink that fails due to a manufacturing defect provided that the sink has been solely for residential use and has not been damaged due to abuse, misuse, or negligence. This limited warranty does not cover and Mainline is not liable for transportation costs, labor charges incurred and/or damages sustained during the course of installation, repair, or replacement of any product(s) provided under this limited warranty. This limited warranty is nontransferable.

All dimensions listed are nominal. Mainline® reserves the right to make product and material changes at any time without notice.

## SUBMITTAL INFORMATION

Name: \_\_\_\_\_ Contractor: \_\_\_\_\_  
 Location: \_\_\_\_\_ Contact #: \_\_\_\_\_  
 Notes: \_\_\_\_\_

### Service & Parts

Please reach out to [epleservice@emcoltd.com](mailto:epleservice@emcoltd.com) for support/ visit [mainlinecollection.ca](http://mainlinecollection.ca) / CANADA +1 (450) 621 5636