

# Tub/Shower Rough-In Valve Extension Kit

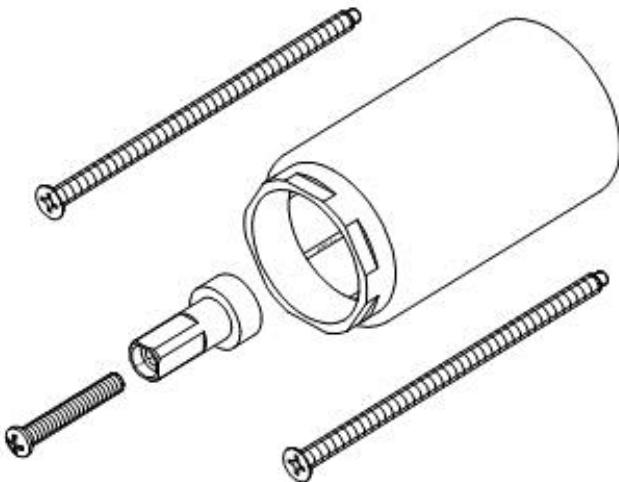
Nécessaire de rallonge de plomberie brute de bain/douche

Conjunto de extensión de la válvula enfoscada para bañera o ducha

Product Specifications



**MAINLINE**



## GUEXT-CP GUEXT-BN GUEXT-ORB

### FEATURES

- For use with 410V, 410V-LS, 410V-PEX, 410VCER, 410VCER-PEX, 410-CP, 410-LS and 410-PEX
- 1" Extension
- 100% Factory Pressure Tested

### CARACTÉRISTIQUES

- Utiliser avec 410V, 410V-LS, 410V-PEX, 410VCER, 410VCER-PEX, 410-CP, 410-LS et 410-PEX
- Extension de 1 po
- Pression vérifiée en usine- 100%

### CARACTERÍSTICAS

- Para usar con 410V, 410V-LS, 410V-PEX, 410VCER, 410VCER-PEX, 410-CP, 410-LS y 410-PEX
- Extensión de 1"
- Probado en fábrica bajo presión al 100%

#### AVAILABLE FINISHES / FINIS OFFERTS / DISTINTOS ACABADOS:

- Polished Chrome / Chrome poli / Cromo lustrado (CP)
- PVD Brushed Nickel / PVD Nickel brossé / PVD Níquel cepillado (BN)
- Oil Rubbed Bronze / Bronze poncé à l'huile / Bronce lustrado al aceite (ORB)



Contact your sales representative for more information or visit our website at [mainlinecollection.ca](http://mainlinecollection.ca)

# Tub/Shower Rough-In Valve Extension Kit

Nécessaire de rallonge de plomberie brute de bain/douche

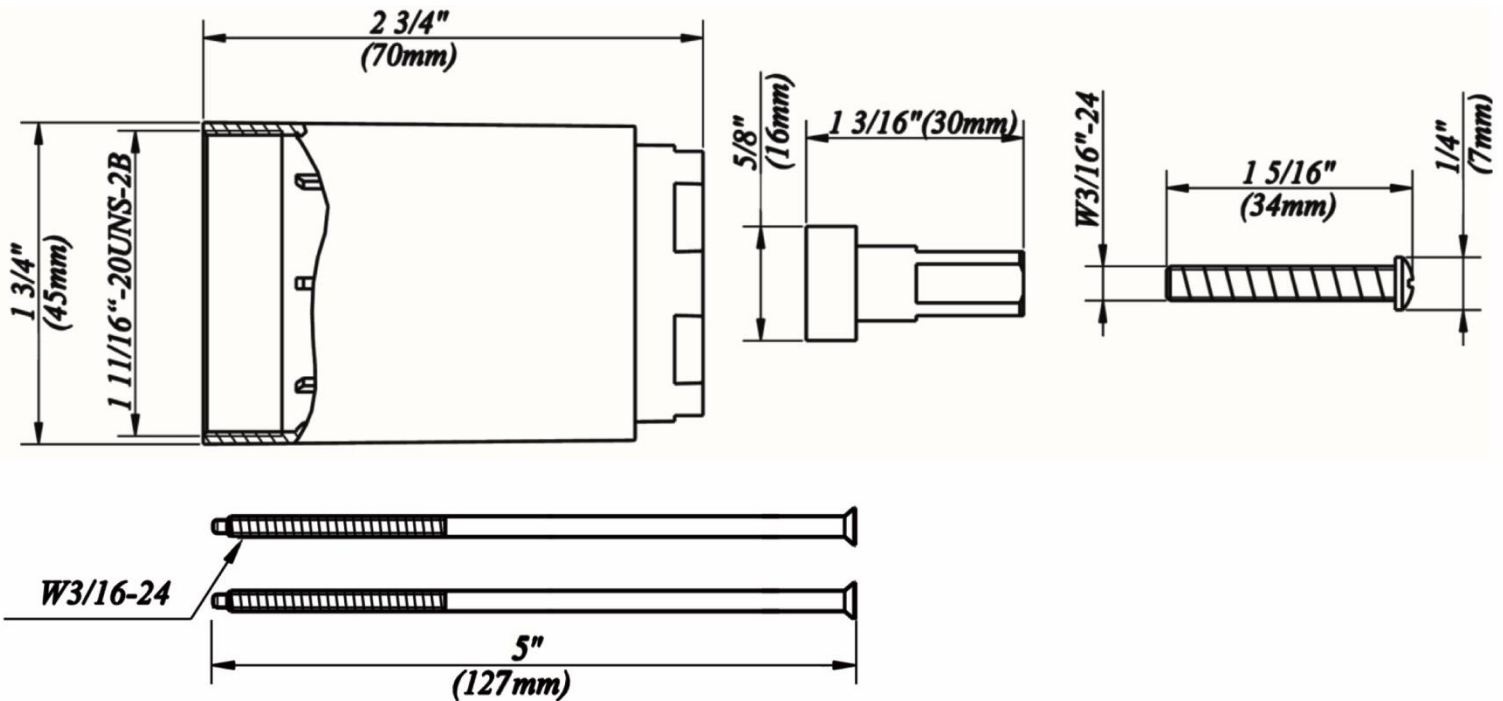
Conjunto de extensión de la válvula enfoscada para bañera o ducha

Product Specifications



**MAINLINE**

**GUEXT-CP  
GUEXT-BN  
GUEXT-ORB**



Contact your sales representative for more information or visit our website at [mainlinecollection.ca](http://mainlinecollection.ca)

Revised 5/17/2019